

ARISTOCRAT

COMPETITION PROVEN PRODUCTS

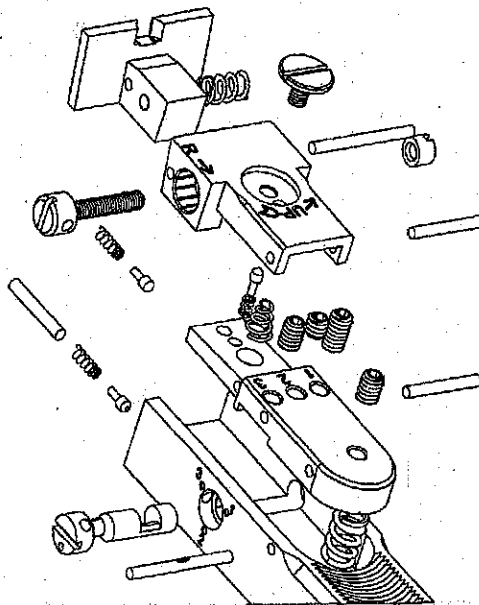
REAR SIGHT BLADE REPLACEMENT INSTRUCTIONS

(All Work Should Be Performed By a Licensed Professional Gunsmith)

To replace the rear sight blade the windage screw should be removed first. Drill the center of the retaining nut out with a 3/32 or preferably a #39 drill just deep enough to remove the part of the screw inside it. Then the screw should easily back out and then the pin behind the screw can be pushed out. The rear sight blade can now be removed.

To install the new blade insert it into position with the spring in place as it was in the old blade. Now first install the 1/16 diameter pin by pushing or lightly tapping it into place and then the new windage screw can be started. Turn the screw in until the head of the screw is just outside the housing with the hole in the screw accessible. The rear sight housing now needs to be supported on its side with the hole in the screw accessible. The plunger and spring can now be installed in the hole in the screw head. Next the plunger and spring need to be held inside the head of the screw while pushing the screw down and turning in at the same time until the screw head is most of the way inside the housing. This keeps the plunger and spring captured until they can't fly out. The screw can now be turned all the way down until it bottoms out and then back out two or three clicks. The new retaining nut can now be started and turned down all the way to the bottom then back off about 1/4 turn. The rear housing then needs to be on its side, nut up so the screw can be staked in place. A center punch and a cross stake in the groove work well. With a small center punch make a depression in each end of the 1/16 pin to keep it from walking.

See illustration (parts diagram).



Aristocrat Products Inc.

1232 E. Edna Place Covina, CA 91724-2509

Tel. (626) 339-4045 Fax (626) 339-4063

<http://www.aristocratproducts.com>