

# ARISTOCRAT

COMPETITION PROVEN PRODUCTS

## Sight Ribs and Lock-Up Bars for Revolvers

### Tri-Set Sight Rib

All Sight adjustments are made on the rear sight. Range selection is made simple by rotation of a 3 position cam. Made for 6 inch barrels.



Model LU-1 Lock-Up Bar

Shown with our thumb adjustable cam.

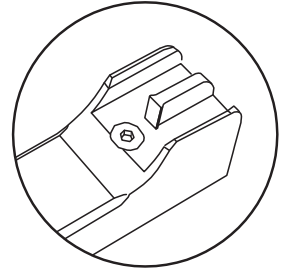
Model TS-6-T

Also available with a slotted cam.

Model TS-6

Precision sight ribs machined from solid steel bar. All wear points are hardened for long service life. Designed specifically for PPC competition, the precise user pre-setable adjustments are for 7, 25 and 50 yards. The click elevation adjustments allow for range and ammunition variables. Undercut front and rear sights present the best sight picture ever.

U. S. Patent 4,127,943



### Front Adjustable Sight Rib

Model BD-6

The Model BD-6 features a unique 3 position slide action cam for precision range selection without the use of tools.

Available for 6 inch barrels.



Model LU-2 Lock-Up Bar

### Screw Adjustable Sight Rib

Model ASR-6

Designed for conventional target shooting, the Model ASR-6 incorporates elevation screw adjustment with Aristocrat's quality sighting features. Available for 6 inch barrels.



Aristocrat Products Inc.

1232 E. Edna Place

Covina, California 91724

Tel. (626) 339-4045 Fax (626) 339-4063

[www.aristocratproducts.com](http://www.aristocratproducts.com) / Email [info@aristocratproducts.com](mailto:info@aristocratproducts.com)

# ARISTOCRAT

COMPETITION PROVEN PRODUCTS

## Sights for Autoloaders

### Tri-Set Adjustable Sight Rib

Model Auto-6



These sights bring the convenience, reliability and perfect sight picture of Aristocrat's PPC revolver ribs to the superbly accurate match autoloaders that are being produced by many gunmakers today. All Sight adjustments are made on the rear sight. Range selection is made simple and reliable by rotation of a 3 position cam.

Precision sight ribs machined from solid bar stock. All wear points are hardened for long service life. Designed specifically for PPC competition, the precise user pre-settable adjustments are for 7, 25 and 50 yards. The click elevation adjustments allow for range and ammunition variables. Undercut front and rear sights present the best sight picture ever.

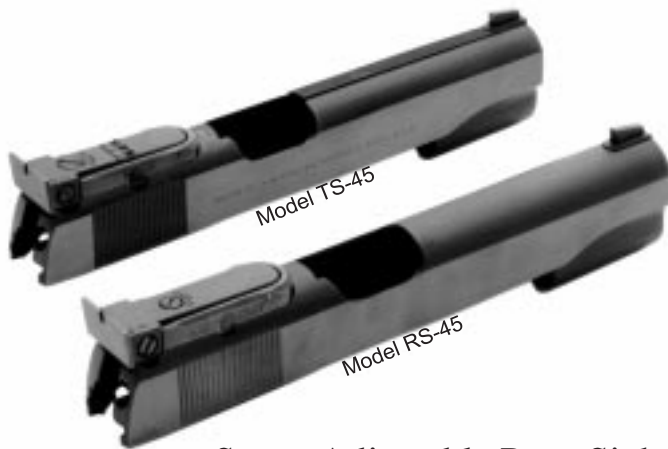
U. S. Patent 4,127,943

### Tri-Set Adjustable Rear Sight

Model TS-45



The Auto-6 model is designed for mounting on 6 inch 1911 models. Mounting on other types of pistols will be very limited. The TS-45 and RS 45 models are most often mounted on 1911 variations and they are factory available on the S&W PPC auto. For suitability on other pistols please consult with your gunsmith.



### Screw Adjustable Rear Sight

Model RS-45

Designed for conventional target shooting, the Model ASR-6 (shown below the Model TS-45) incorporates elevation screw adjustment with Aristocrat's quality sighting features.

Aristocrat Products Inc.

1232 E. Edna Place

Covina, California 91724

Tel. (626) 339-4045 Fax (626) 339-4063

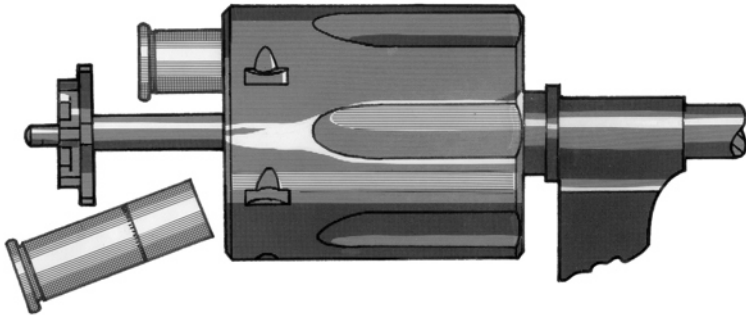
[www.aristocratproducts.com](http://www.aristocratproducts.com) / Email [info@aristocratproducts.com](mailto:info@aristocratproducts.com)

# ARISTOCRAT

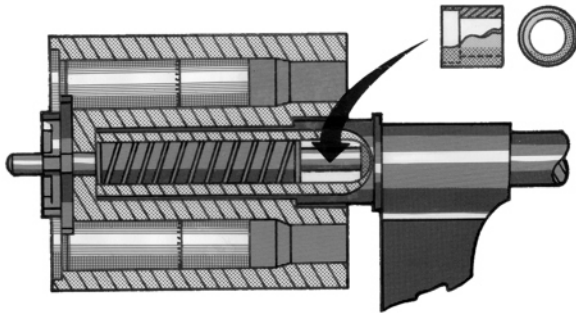
COMPETITION PROVEN PRODUCTS

## Extractor Rod Safety Collar

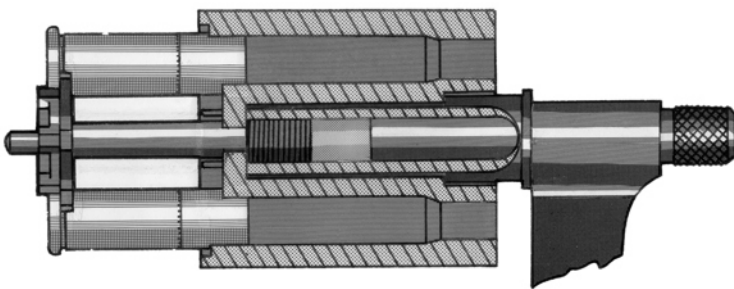
For Smith & Wesson "K, L & N" frame  
revolvers with 4" or longer barrels



Trapping shell casings under the extractors of Smith & Wesson revolvers is caused by failure to hold the weapon with the muzzle pointed straight up when fully depressing and releasing the extractor rod. The frequency of occurrence seems to increase when reloading in stressful circumstances. Many law enforcement agencies have reported high incidences of this problem in stress training courses and in actual police shooting situations in the field.



The Aristocrat Extractor Rod Safety Collar is designed to be used in place of the original extractor rod collar. Make sure that the weapon is not loaded. Then simply remove the cylinder from the weapon, Place two fired casings in the cylinder, hold the extractor rod tightly in wood blocks in a vise and remove the extractor rod. The threads are normally left hand, but may be right hand in very old models. Remove the original extractor rod collar and place the Aristocrat Extractor Rod Safety Collar on the extractor rod with the counter bored end facing in the direction illustrated. Replace the rod and tighten securely so that it will not loosen from shooting and replace the cylinder in the weapon.



The modification can be made quickly and without any special tooling. It prevents the extractor from drawing the spent casings out of the cylinder far enough to allow them to fall under the extractor. When properly installed it will not affect any other function of the weapon.

Check to see if you need one !  
Not needed on some models

This product has been used by City, State and Federal law enforcement agencies of all sizes.

### Notice:

Proper assembly of this product and of any firearm is essential to the proper and safe function of both. It is recommended that this work be performed by a qualified professional gunsmith.

Aristocrat Products Inc.

1232 E. Edna Place

Covina, California 91724

Tel. (626) 339-4045 Fax (626) 339-4063

[www.aristocratproducts.com](http://www.aristocratproducts.com) / Email [info@aristocratproducts.com](mailto:info@aristocratproducts.com)

# ARISTOCRAT

COMPETITION PROVEN PRODUCTS

## FIXED SIGHTS FOR SEMI-AUTO PISTOLS

Aristocrat semi-auto sights are designed to provide a durable fixed sight replacement that offers the crisp sight picture and fast sighting qualities of competition target sights.

These advantages are accomplished by providing a more conventional shaped rear sight blade which is angled back to reduce glare and also extends to the rear of the slide to provide a longer sight radius. All models are low profile. Some models are designed to use the original factory front sight. They have a smooth contoured shape and are made of a high quality heat treated steel.

All of these features make these rear sights desirable for a wide range of uses. It also makes installation easy and inexpensive. Ask your dealer or gunsmith.

## CUSTOM REAR SIGHTS FOR BERETTA 92, 96 AND COUGAR MODELS

Our Beretta rear sights are designed to work with the original factory front sight. There are two models available, plain and two dot.

CHOOSE THE SIGHT PICTURE YOU WANT



ABS-P....PLAIN BLACK



ABS-2...TWO DOT



## CUSTOM REAR SIGHTS FOR 1911 STYLE AUTOS

These rear sights deliver an exceptionally clear sight picture. The curved body blends well with the top of the slide. They work well with some original factory front sights. We offer a variety of front sights designed to meet every requirement. There are two models available, plain and two dot.



45-RT.....PLAIN



45-RD.....TWO DOT

Aristocrat Products Inc.

1232 E. Edna Place

Covina, California 91724

Tel. (626) 339-4045 Fax (626) 339-4063

[www.aristocratproducts.com](http://www.aristocratproducts.com) / Email [info@aristocratproducts.com](mailto:info@aristocratproducts.com)

# ARISTOCRAT

COMPETITION PROVEN PRODUCTS



## Lock-Up Bar

The ARISTOCRAT Lock-Up Bar has its own distinctive look. The styling is a matte finish on the contours a brushed finish on the flat surfaces. It comes with the extractor rod cut and mounting screws.

The Model LU-1 will add weight and stability to your Bull Barrel revolver and also the look and feel of Aristocrat Quality.

Model LU-1 (Blued Steel)



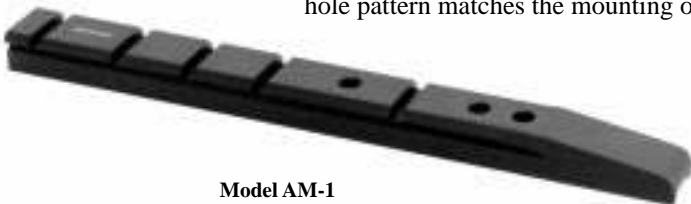
Model LU-1



## Weaver Style Base

This anodized aircraft aluminum base will accept scopes and other devices designed to mount on a Weaver style base.

Designed to mount on a one inch bull barrel, the mounting hole pattern matches the mounting of our revolver ribs.



Model AM-1

## Aristocrat Products Inc.

1232 E. Edna Place  
Covina, California 91724  
Tel. (626) 339-4045 Fax (626) 339-4063  
[www.aristocratproducts.com](http://www.aristocratproducts.com)